



**INJECTION MOLDING
SOLUTION EXPERT**

注塑整体方案解决专家

www.lesintormachine.com

我们的合作伙伴

客户是检验我们品质的标尺



全球出口多个国家

EXPORTS TO MANY COUNTRIES AROUND THE WORLD

选择无处不在，选择决定未来，公司从中国客户遍布全球选择与我公司长期合作的原因就是我们始终致力于制造完美的塑料辅机，为客户实现更节能更环保更完善的新型产品。

Choice is everywhere, and choice decides the future. The reason why our company has chosen to cooperate with our company for a long time from Chinese customers all over the world is that we are always committed to manufacturing perfect plastic auxiliary machines and realizing more energy-saving, environment-friendly and perfect new products for customers.



05-14

注塑机 INJECTION MOLDING MACHINE

冷热温控系列 Hot and cold temperature control series

- 05 水冷式冷水机
Water-cooled chiller
- 07 风冷式冷水机
Air cooled chiller
- 09 冷油机
Oil cooler
- 10 冷风机
Air cooler
- 11 模温机
Mold temperature machine
- 12 温控箱
Temperature control box
- 13 冷却塔
Cooling Tower
- 14 冷却塔水泵
Cooling tower pump

15-24

粉碎回收系列 Crushing recycling series

- 15 强力粉碎机
Powerful crusher
- 16 强力塑料粉碎机
Powerful plastic shredder
- 17 中速机边粉碎机
Medium speed machine side grinder
- 18 中低速多刀机边粉碎机
Medium and low speed multi-knife edge grinder
- 19 慢速机边粉碎机
Slow machine edge crusher
- 20 应用范例
Application example
- 21 慢速静音双轴粉碎机
Slow and silent shredder with double shaft
- 22 小型撕碎机
Small shredder with single shaft
- 23 薄膜粉碎机
Film pulverizer
- 24 大型中空料粉碎机
Large hollow material crusher

25-36

干燥输送系列 Dry conveying series

- 25 干燥机
Dryer
- 26 欧化干燥机
European dryer
- 27 输送一体式除湿干燥机 (三机一体)
Conveying integrated dehumidifying dryer (three machines integrated)
- 28 烘箱
Oven
- 29 直线振动筛
Linear vibrating screen
- 30 真空吸料机
Vacuum suction machine
- 31 欧化大功率吸料机
European high power suction machine
- 32 全自动除尘吸料机 (免人工清理)
Automatic dust collector (no manual cleaning)
- 33 金属分离器
Metal separator
- 34 中央供料系统
Central feeding system
- 35 计量式色母混合机 机械手臂
Metering color master mixer Robotic arm
- 36 螺杆上料机 输送带
Screw feeder conveyor

37-43

搅拌混色系列 Stirring color mixing series

- 37 高端立式混色机
High-end vertical color mixing machine
- 38 大型立式烘干搅拌机
Large vertical drying mixer
- 39 经济型搅拌机
Economic mixer
- 40 高速干燥一体机
High speed drying machine
- 41 滚筒式搅拌机
Drum mixer
- 42 卧式混色机
Horizontal color mixing machine
- 43 大型卧式搅拌机 (可选烘干功能)
Large horizontal mixer (optional drying function)



注塑机又名注射成型机或注射机。它是将热塑性塑料或热固性塑料利用塑料成型模具制成各种形状的塑料制品的主要成型设备。分为立式、卧式、全电式。注塑机能加热塑料，对熔融塑料施加高压，使其射出而充满模具型腔。

Injection molding machine also known as injection molding machine or injection machine. It is the main molding machine for Thermoplastic or thermosetting polymer plastic products in various shapes using plastic molding molds. Divided into vertical, horizontal, all-electric. The injection molding machine heats the plastic, applying high pressure to the molten plastic, causing it to shoot out and fill the mold cavity.

产品特点 >>

- 1、即使是大型机由于机身低，对于安置的厂房无高度限制。
- 2、产品可自动落下的场合，不需使用机械手也可实现自动成型。
- 3、由于机身低，送料方便，检修容易。
- 4、模具需通过吊车安装。
- 5、多台并列排列下，成型品容易由输送带收集包装。

1. Even for Main frames, there is no height limit for the plant they are housed in because of their low body.
2. the product can automatically fall the occasion, don't need to use a manipulator or can also achieve automatic molding.
3. because the fuselage is low, the materials supply is convenient, the overhauling is easy.
4. The mould must be installed by crane.
5. Multiple side-by-side arrangement, molding easy to be collected by the conveyor or packaging.

注塑机参数表 >>
Technical parameters

机型 Machine type	MAX-138				MAX-188				MAX-218			
注射部分 Injection part	AA	A	B	C	AA	A	B	C	AA	A	B	C
螺杆直径 Screw diameter	28	32	35	38	32	38	42	45	36	42	45	50
开模行程 mm Opening stroke	350				380				435			
拉杆内间距 (宽*高) mm Inner distance of tie rod (width * height)	420*370				470*420				520*470			
电机功率 (标配/选配) kw Motor power (standard/optional)	15				18.5				22			
电热功率 (标配/选配) kw Electric heating power (standard optional)	8.2				11				13			
机械外形尺寸 长*宽*高 (约) m Mechanical Dimensions Length * Width * Height (approx.)	4.4*1.2*1.66				4.8*1.3*1.8				5.3*1.4*1.9			
机器重量 (约) T Machine weight (approx.)	3.7				4.5				5.6			

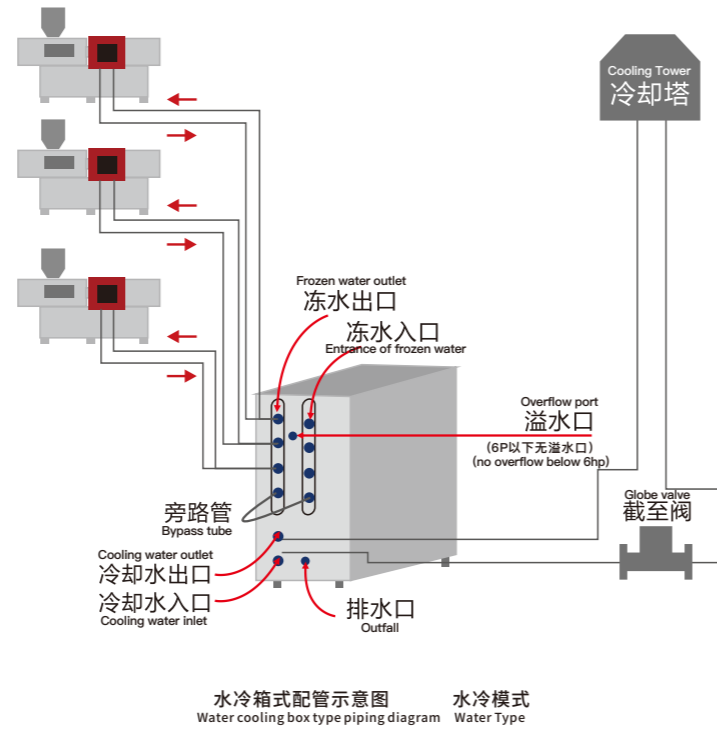
机型 Machine type	MAX-258				MAX-288				MAX-368			
注射部分 Injection part	AA	A	B	C	AA	A	B	C	A	B	C	D
螺杆直径 Screw diameter	42	45	50	55	45	50	55	60	65	70	75	80
开模行程 mm Opening stroke	490				560				675			
拉杆内间距 (宽*高) mm Inner distance of tie rod (width * height)	480*530				630*580				730*680			
电机功率 (标配/选配) kw Motor power (standard/optional)	30				37				45			
电热功率 (标配/选配) kw Electric heating power (standard optional)	17				19				33			
机械外形尺寸 长*宽*高 (约) m Mechanical Dimensions Length * Width * Height (approx.)	5.8*1.5*2.0				6.1*1.62*2.0				7.7*2.0*2.0			
机器重量 (约) T Machine weight (approx.)	7.5				9				13.2			

机型 Machine type	MAX-450				MAX-550				MAX-650			
注射部分 Injection part	A	B	C	D	A	B	C	D	A	B	C	D
螺杆直径 Screw diameter	70	80	85	90	80	90	95	100	80	90	95	100
开模行程 mm Opening stroke	760				900				940			
拉杆内间距 (宽*高) mm Inner distance of tie rod (width * height)	780*730				886*820				960*940			
电机功率 (标配/选配) kw Motor power (standard/optional)	55				67(30+37)				67(30+37)			
电热功率 (标配/选配) kw Electric heating power (standard optional)	39				48				48			
机械外形尺寸 长*宽*高 (约) m Mechanical Dimensions Length * Width * Height (approx.)	8.2*2.0*2.0				9.1*2.1*2.2				9.3*2.1*2.2			
机器重量 (约) T Machine weight (approx.)	15.5				23				28			

水冷式冷水机参数表 >>
Technical parameters

Model		03WC	05WC	06WC	08WC	10WC	12WC	15WC	20WC	25WC	30WC	40WC	50WC	60WC	
制冷量 Cooling capacity	KW/hr	50HZ	9.59	15.91	19.18	24.85	31.83	38.37	50.14	67.14	81.53	99.19	129.06	153.91	198.12
	Kcal	50HZ	2851	13690	16503	21370	27370	32994	43120	57748	70120	85303	110984	132359	170383
温控范围 Temperature range		5°C-50°C常温 (0°C以下可定制) 5°C-50°C Room temperature (Below 0°C can be customized)									5°C-35°C常温 (0°C以下可定制) 5°C-35°C Room temperature (Below 0°C can be customized)				
电源 Power supply		3N-380V 50HZ			5N-380V 50HZ	3N-380V 50HZ	5N-380V 50HZ								
总功率 Total power	KW	2.62	4.12	5.25	6.75	8.25	10.50	12.75	17.25	25.50	26.25	33.75	43.00	50.50	
控制方式 Control mode		毛细管 capillary tube							膨胀阀 Expansion valve						
压缩机 Compressor	类型 Type	全封闭涡旋式或活塞式 Hermetic scroll type or piston													
	压缩机数量 Number of compressors	1	1	1	2	2	2	3	2	2	3	4	4	5	
	压缩机品牌 Compressor brand	大金 Copeland		松下 Panasonic											
功率 KW Power	2.25	3.75	4.50	6.00	7.50	9.00	11.25	15.00	18.75	22.50	30.00	37.50	45.00		
冷凝器 condensator	使用冷媒 Use refrigerant	R22													
	形式 Form	直管式 Straight tube type													
蒸发器 Evaporator	水量M3/H Water quantity	1.65	2.75	3.30	4.27	5.47	6.59	8.62	11.55	14.03	17.06	22.19	26.48	33.28	
	水溶量M3 Water solubility	0.05	0.58	0.58	0.15	0.15	0.15	0.285	0.300	0.380	0.380	0.560	0.560	0.610	
	水箱容量 (L) Tank capacity	46	51	51	110	110	110	195	280	340	340	250	250	250	
	进出口口径 Import and export caliber	Dn20	Dn20	DN25	Dn40	Dn40	Dn40	DN50	Dn65	Dn80	Dn80	Dn80	Dn100	Dn100	
循环泵 Circulating pump	功率 KW Power	0.37	0.37	0.75	0.75	0.75	1.5	1.5	2.25	3.75	3.75	3.75	5.5	5.5	
	流量 (L/MIN) Flow	90	90	90	170	170	340	340	500	800	800	800	1000	1000	
	扬程 m Lift	18	18	18	16	16	17	17	17	18	18	18	20	20	
机器尺寸 Dimension	L/mm	870	870	870	1300	1300	1300	1500	1840	2000	2000	2200	2300	2750	
	W/mm	550	550	550	780	780	780	750	750	850	850	900	1000	1000	
	H/mm	1000	1000	1000	1400	1400	1400	1400	1600	1600	1600	1600	1600	1600	
面板 Panel	电脑板品牌 Panel brand	邦普 Brunp													
电器 Electrical equipment	电器品牌 Electrical equipment brand	德力西 DELIXI							施耐德 Schneider						
机组重量 Unit Price	KG	120	150	200	210	290	310	400	440	690	760	850	1000	1190	

产品规格参数如有变动，恕不另行通知。
Specifications are subject to change without notice.

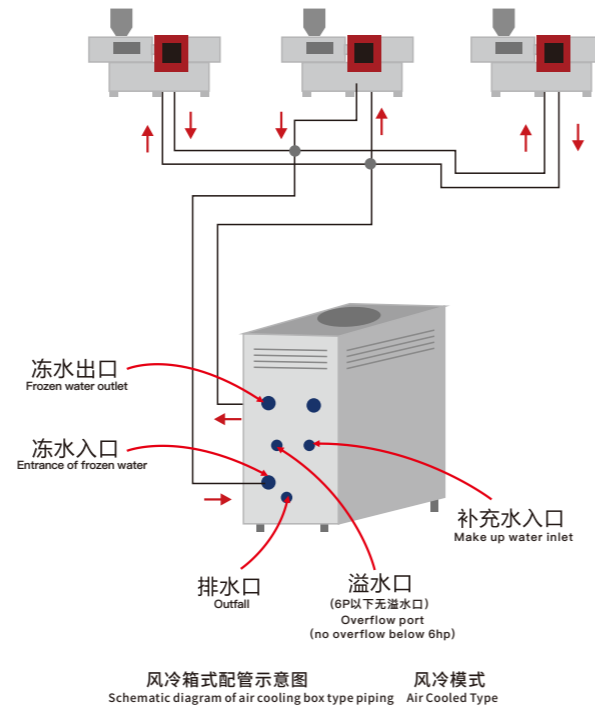


水冷箱式配管示意图 水冷模式
Water cooling box type piping diagram Water Type

产品特点 >>

- 1、冷却温度范围5°C-50°C。
- 2、防腐水箱；防结冰保护装置。
- 3、采用R22制冷剂，制冷效果好。
- 4、冷冻回路采用高低压开关控制。
- 5、压缩机及泵浦均有过载保护。
- 6、壳管式冷凝器，导热快，散热效果好。（需有冷却塔提供冷却循环，否则无法运行）
- 7、不锈钢管式蒸发器，制冷效果极佳
- 8、采用智能微电脑控制系统，控温精度可达±1°C。
- 9、操作简单，结构设计合理，维修方便。

1. The cooling temperature ranges from 5°C to 50°C.
2. 304 stainless steel insulated water tank; Anti-icing protection device.
- 3, R22 refrigerant is adopted, and the refrigeration effect is good.
4. The refrigeration circuit is controlled by high and low voltage switches.
5. The compressor and pump have overload protection.
6. Shell and tube condenser has fast heat conduction and good heat dissipation effect. (cooling tower is required to provide cooling cycle, otherwise it cannot be operated)
- 7, copper coil evaporator, excellent refrigeration effect
8. Intelligent microcomputer control system is adopted, and the temperature control accuracy can reach 2°C.
9. Simple operation, reasonable structural design and convenient maintenance.



产品特点 >>

- 1、冷却温度范围5°C-50°C。
- 2、防腐水箱；防结冰保护装置。
- 3、采用R22制冷剂，制冷效果好。
- 4、冷冻回路采用高低压开关控制。
- 5、压缩机及泵浦均有过载保护。
- 6、外转子风机加翅片式冷凝器，传热效果好，散热快。（无需提供冷却循环水，通电接水后可直接使用）
- 7、不锈钢盘管式蒸发器，制冷效果极佳。
- 8、采用智能微电脑控制系统，控温精度可达±1°C。
- 9、操作简单，结构设计合理，维修方便。

1. The cooling temperature ranges from 5°C to 50°C.
2. 304 stainless steel insulated water tank; Anti-icing protection device.
3. R22 refrigerant is adopted, and the refrigeration effect is good.
4. The refrigeration circuit is controlled by high and low voltage switches.
5. The compressor and pump have overload protection.
6. External rotor fan plus fin condenser has good heat transfer effect and fast heat dissipation. (cooling circulating water is not required; it can be directly used after being electrified and receiving water)
7. copper coil evaporator, excellent refrigeration effect.
8. Intelligent microcomputer control system is adopted, and the temperature control accuracy can reach ±1°C.
9. Simple operation, reasonable structural design and convenient maintenance.

风冷式冷水机参数表 >>
Technical parameters

Model		01AC	02AC	03AC	04AC	05AC	06AC	08AC	10AC	12AC	15AC	20AC	25AC	30AC	40AC	50AC	60AC	
制冷量 Cooling capacity	KW/hr	50HZ	2.94	5.67	8.39	10.9	13.95	16.9	21.8	28.01	33.79	44.15	59.08	71.72	87.2	113.58	135.49	181.68
	Kcal	50HZ	2528	4872	7216	9347	11990	14560	18748	24089	29059	37965	50805	61683	74992	97675	116521	156249
温控范围 Temperature range		5°C-常温 (0°C以下可定制) 5°C-Room temperature (Below 0°C can be customized)																
电源 Power supply		1N-220V 50HZ			5N-380V 50HZ						3N-380V 50HZ							
总功率 Total power	KW	1.27	2.005	2.89	3.65	4.50	5.63	7.25	9.09	11.34	13.85	18.95	22.75	28.30	37.15	47.80	55.20	
控制方式 Control mode		毛细管 capillary tube										膨胀阀 Expansion valve						
类型 (Type)		全封闭涡旋式或活塞式 Hermetic scroll type or piston																
压缩机 Compressor	压缩机数量 Number of compressors	1	1	2	1	2	2	2	2	2	3	2	2	3	4	4	6	
	压缩机品牌 Compressor brand	LG	松下 Panasonic	大金 DAIKIN	松下 Panasonic													
	功率 (KW) Power	0.75	1.50	2.25	3.00	3.75	4.50	6.00	7.50	9.00	11.25	15.00	18.75	22.00	30.00	37.50	45.00	
	使用冷媒 Use refrigerant	R22																
风机 Blower	风量 (M3/h) Air volume (M3/h)	1000	2750	5500	4000	7000	7000	10100	13000	13000	15000	21600	32400	32400	43200	57000	60000	
	风机大小 (MM) Fan size (MM)	350	350	350	400	400	400	500	500	500	550	630	630	630	630	630	630	
	风机数量 (个) Fan quantity (individual)	1	1	2	2	2	2	2	2	2	2	3	3	4	6	8		
	总风机功率 (KW) Power of single fan (KW)	0.14	0.135	0.27	0.38	0.38	0.38	0.5	0.84	0.84	0.84	1.7	2.55	2.55	3.4	4.8	4.7	
	风机品牌 Blower Brand	顿力 Dunli																
冷凝器 condensator		形式 (Form) 高效铜管套波纹型铝翅片 Efficient brass sets corrugated aluminum fin																
蒸发器 Evaporator	水量 (M3/H) Water quantity	0.51	0.97	1.44	1.87	2.40	2.91	3.75	4.82	5.81	7.60	10.16	12.34	15.20	19.53	23.30	30.52	
	水溶量 (M3) Water solubility	0.028	0.040	0.050	0.050	0.065	0.065	0.13	0.18	0.180	0.210	0.280	0.320	0.320	0.610	0.66	0.72	
	水箱容量 (L) Tank capacity	30	45	45	50	65	75	140	145	190	200	245	270	300	350	400	450	
	进出水口径 (外径) Import and export caliber	DN20	DN25	DN25	DN25	DN25	DN25	DN40	DN40	DN50	DN50	DN50	DN65	DN65	DN80	DN80	DN80	
循环泵 Circulating pump	功率 (KW) Power	0.37	0.37	0.37	0.37	0.37	0.37	0.75	0.75	1.5	1.5	2.2	4.0	4.0	4.0	5.5	5.5	
	流量 (L/MIN) Flow	90	90	90	90	90	90	170	170	340	340	500	800	800	800	1000	1000	
	扬程 (M) Lift	18	18	18	18	18	18	16	16	17	17	17	18	18	18	20	20	
	水泵品牌 Pump brand	利欧 Leo	万轩 Wanxuan															
机器 尺寸 Dimension	L/mm	436	750	1040	1300	1300	1300	1500	1500	1750	1750	2000	2000	2370	2350	2400	2400	
	W/mm	337	520	570	650	650	650	700	750	860	860	1100	1100	1120	1730	1450	1450	
	H/mm	753	800	1000	1100	1100	1100	1250	1290	1790	1790	1780	1780	1850	1820	1700	1700	
面板 Panel	电脑板品牌 Panel brand	邦普 Brunp																
电器 Electrical equipment	电器品牌 Electrical equipment brand	德力西 DELIXI																
机组 重量 Unit Price	KG	60	90	130	140	170	210	270	350	370	480	590	790	880	1000	1280	1420	

产品规格参数如有变动，恕不另行通知。
Specifications are subject to change without notice.

冷油机

Oil cooler



冷油机参数表 >>

Technical parameters

Model		01HP	02HP	03HP	04HP	05HP	06HP	08HP	10HP	12HP	15HP	20HP	25HP	30HP	40HP	50HP	60HP	
制冷量 Cooling capacity	KW/hr	50HZ	2.94	5.67	8.39	10.9	13.95	16.9	21.8	28.01	33.79	44.15	59.08	71.72	87.2	113.58	135.49	181.68
		60HZ	3.44	6.63	9.82	12.75	16.32	19.77	25.5	32.78	39.53	51.65	69.12	83.91	102.2	132.89	158.52	218.02
	Kcal	50HZ	2528	4872	7216	9347	11990	14560	18748	24089	29059	37965	50805	61683	74992	97675	116521	156249
		60HZ	2958	5701	8442	10698	14028	17000	21935	28184	33999	44419	59442	72169	87741	114280	136330	187499
温控范围 Temperature range		10°C-常温(0°C以下可定制) 10°C - room temperature (customized below 0°C)																
电源 Power supply		1N-220V/50HZ/60HZ						3N-380V/415 50HZ/60HZ										
总功率KW Total power		1.27	2.02	2.02	3.65	4.5	5.61	7.25	9.9	11.7	13.7	18.76	22.55	27.8	37.6	45.1	55	
压缩机 Compressor	类型 (Type)	全封闭涡旋式或活塞式 Hermetic scroll type or piston																
	功率KW Power	0.75	1.5	1.5	3	3.75	4.5	6	7.5	9	11	15	18.75	22	30	37.5	45	
风机Blower	风量M3/H Air volume (M3/h)	1000	2000	2000	4000	5000	6000	8000	10000	12000	15000	20000	25000	30000	40000	50000	60000	
冷凝器 condensator	形式 (Form)	高效铜管套波纹型铝翅片 Efficient brass sets corrugated aluminum fin																
	油量m ³ /H Oil volume m ³ /H	0.59	1.14	1.68	2.19	2.81	3.41	4.39	5.64	6.8	8.89	11.89	14.44	17.55	22.85	29.27	36.63	
蒸发器 Evaporator	油容量m ³ /H Oil capacity m ³ /H	0.025	0.036	0.045	0.056	0.056	0.056	0.12	0.15	0.1555	0.181	0.24	0.28	0.28	0.53	0.58	0.62	
	进出油管径G Inlet and outlet pipe diameter	G1/2"	G1/2"	G3/4"	G3/4"	G3/4"	G1"	G1-1/2"	G1-1/2"	G2"	G2"	G2"	G2-1/2"	G2-1/2"	G3"	G3"	G3"	
循环泵 Circulating pump	功率KW Power	0.375	0.375	0.375	0.375	0.375	0.75	0.75	0.75	1.5	1.5	2.2	2.2	4	4	4	5.5	
	扬程m Lift	26	26	26	26	34	34	34	34	34	34	26	26	34	34	34	36	
机器尺寸 Dimension	L/mm	450	750	1150	1300	1250	1250	1440	1530	1530	1750	1900	2370	2370	2300	2300	2370	
	W/mm	340	520	570	650	640	640	700	750	750	850	1000	1120	1120	1900	1900	1900	
	H/mm	750	970	1200	1100	1250	1250	1450	1500	1600	1600	1870	1950	1950	2000	2000	2000	
机组重量 Unit Price	KG	60	90	130	140	170	210	270	350	370	480	590	790	880	1000	1280	1420	

产品规格参数如有变动, 恕不另行通知。

Specifications are subject to change without notice.

冷风机

Air cooler



冷风机参数表 >>

Technical parameters

		1AF	3AF	4AF	5AF	8AF	10AF	15AF	20AF	25AF	30AF
制冷量 Cooling capacity	50HZ	3	9	12	15	22	30	45	60	75	90
	60HZ	3.4	10.5	13.6	16.8	25.1	32.2	51.2	69.2	86.5	97.8
	Kcal/h50HZ	2580	8100	10800	13500	21600	27000	40500	54000	67500	81000
温控范围 Temperature range		5-35°C									
电源 Power supply		220V		380V							
总功率KW Total power		1.25	2.9	3.7	4.6	7.5	9.4	13.8	18.9	23.2	28.6
压缩机 Compressor	功率KW Power	0.75	2.25	3	3.75	6	7.5	11.25	15	18.75	22.5
	使用冷媒Refrigerant	R22									
风机功率 Fan power	W	300	370	370	550	750	1100	1500	2200	3000	3000
出风管径Outlet pipe diameter	mm	80	120	120	120	150	150	200	200	250	300
风量 Air volume	m ³ /H	450	1000	1200	1800	3200	3500	4500	7500	8600	11000
风速 Wind speed	M/s	10	20	20	22	25	28	32	35	35	40
全压 Total pressure	Pa	230	300	300	450	600	600	710	750	800	850
机器尺寸 Dimension	L/mm	860	1050	1050	1050	1400	1400	1800	1800	2100	2100
	W/mm	550	550	550	550	660	660	750	780	960	960
	H/mm	800	1200	1200	1200	1350	1350	1500	1800	2000	2000
机组重量 Unit Price	KG	65	105	120	135	260	350	480	610	750	890

产品规格参数如有变动, 恕不另行通知。

Specifications are subject to change without notice.



主要特点 >>

1. 采用亚泰温控表，性能稳定，可靠，功能完善。
 2. 隔离式电器控制箱，隔热效果佳，延长电器使用年限。
 3. 开机自动排气，不锈钢一体管路，加热均匀，减少管阻及锈垢。
 4. 升温及降温时间快速，温度稳定。
 5. 无缝管发热丝，节能效果明显。
 6. 安全保护及故障指示系统完善，维修方便无需专业人员。
 7. 水泵马力和加热功率可根据工艺要求定制，电器采用德力西冷却水压力保护功能。
1. Adopting Yatai Temperature Control Meter, which has stable performance, reliability and complete functions.
 2. The electrical control box is isolated from the machine, Good heat resistance, Extended service life.
 3. Automatic exhaust when starting, integrated stainless steel pipeline, uniform heating, reducing pipeline resistance and rust.
 4. It can be change temperature quickly, with good constant temperature effect.
 5. Seamless tube electric heating wire, obvious energy saving effect.
 6. Equipped with safety protection and fault indication system, amateur can also repair
 7. Pump power and heating power can be customized .The electrical equipment made by DELIXI brand series with cooling water pressure protection.

模温机参数表 >>

Technical parameters

型号 Model	温度 Temperature	冷却方式 Coolong method	传热媒体 Medium	温控范围 Temperatu re range	冷却水配管 Cooling water piping	输入功率 Input Power	加热能力 Heating capacity	加热能力 Heating capacity	泵浦扬程 (M) Pump lift	泵浦工作流量 (L/min) Pump flow	模具接头 Die connector	外形尺寸 Dimension	重量KG Weight
6KW	水式 Water type	直接冷却 Direct cooling	水 Wter	35--120 (单系统) 35-120 (single system)	1/2	6.37KW	6KW	0.37	30	35	3/8*2	650*270*620	46
9KW						9.75KW	9KW	0.75	30	60	3/8*4	650*270*620	51
12KW						12.75KW	12KW	0.75	30	60	3/8*4	650*270*620	60
18KW						19.5KW	18KW	1.5	38	75	3/8*4	900*500*960	85
24KW						26.2KW	12+12KW	2.2	40	320	3/8*6	900*500*960	82
6KW	油式 Oil type	间接冷却 Indirect cooling	导热油 Condu ction oil	35--180 (单系统) 35-180 (single system)	1/2	6.37KW	6KW	0.37	30	35	3/8*2	660*300*580	48
9KW						9.75KW	9KW	0.75	30	60	3/8*4	524*632*290	55
12KW						12.75KW	12KW	0.75	30	60	3/8*4	820*340*700	95
18KW						19.5KW	18KW	1.5	38	75	3/8*4	900*500*960	87
24KW						26.2KW	12+12KW	2.2	40	320	3/8*6	900*500*960	85

产品规格参数如有变动，恕不另行通知。
Specifications are subject to change without notice.



产品特点 >>

Technical parameters

1. 控制模式可选为过零触发方式 (SSr) 或相位角控制方式 (Pac)
 2. 热电偶断线报警、自动停机保护功能
 3. 热电偶反报警、自动停机保护功能
 4. 热电偶短路报警、自动停机保护功能
 5. 加热圈开路报警、自动停机保护功能
 6. 加热圈过载、短路报警、自动停机保护功能
 7. 可控硅击穿报警、自动停机保护功能
 8. 热电偶与加热圈接反报警与保护功能
 9. 接错C380V，电源自动保护功能
 10. FUZY+PID控制算法，PID参数具有可在线自动整定与手动设定两种方式
1. The control mode can be selected as zero-crossing trigger mode (SSr) or phase angle control mode (Pac)
 2. Thermocouple disconnection alarm and automatic shutdown protection function
 3. Thermocouple connection reverse alarm, automatic shutdown protection function
 4. Thermocouple short circuit alarm and automatic shutdown protection function
 5. Heating coil open circuit alarm, automatic shutdown protection function
 6. Heating coil overload, short circuit alarm, automatic shutdown protection function
 7. SCR breakdown alarm and automatic shutdown protection function
 8. The thermocouple and the heating coil are connected to the alarm and protection function
 9. Wrong connection of C380V, power supply automatic protection function
 10. FUZY+PID control algorithm, PID parameters can be set automatically online and manually set in two ways

冷却塔

Cooling Tower



塔体：采用FRP复合材料制成，表面胶衣采用进口原材，其色种内含抗紫外线稳定剂，表面光洁，耐老化，历久尤有光泽。
电机：采用全密封式冷却塔专用电机，380v3Ø50HZ防水性能好，能安全地适用于温度环境中。
填料：圆型逆流式填料散热面积增长系数大，水流分布性好，水气相对流过表面时扰动大，散热性能高。
钢件：均采用除锈热镀锌处理，耐腐蚀，易装配，表面美观。

The tower body:the use of frp composite material,the surface of the gel coat using imported raw materials,its color species containing anti-uv stabilizers,surface finish,resistance to aging,life time yououguang ze.
Motor:using the sealed cooling tower dedicated motor,380v3Ø50HZ waterproof performance is good,can be safely used in the temperature environment.
Filler:round counterflow fill cooling area growth coefficient,good water distribution,water by gas convection surface disturbance large,high thgh thermal performance.
Steel:rust hot-dip galvanized,corrosion resistance, high strength,easy assembly,surface appearance.

冷却塔参数表 >> Technical parameters

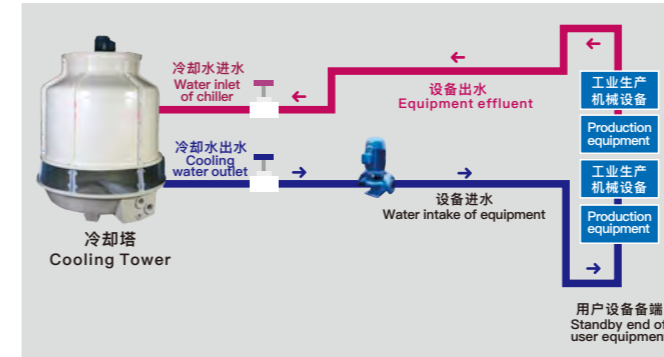
型号 Model	电压(V) Voltage (V)	流量 (m³/H) Flow (m³/hr)	风机直径 (mm) Fan Diameter (mm)	电机功率 (KW) Power (kw)	外形尺寸(mm) Dimension (mm)		净重kg Net Weight (kg)	运行重量 Work Weight (kg)	配管 Piping			
					塔高 Height	最大外径 Outer Diameter			进水 Inlet	排水 Drainage	排污 Sewage Disposal	浮波 Water Port
3T	380	3	300	0.038	1200	650	35	85	25	25	25	15
6T		6	585	0.18-6	1520	930	53	133	40	40	25	15
8T		8	600	0.18-6	1620	930	56	139	40	40	25	15
10T		10	600	0.18-6	1780	960	75	200	40	40	25	15
12T		12	600	0.18-6	1820	1040	80	220	50	50	25	15
16T		16	760	0.37-6	1900	1120	85	300	50	50	25	15
20T		20	760	0.37-6	1900	1250	110	320	50	50	25	15
25T		25	760	0.37-6	2010	1420	140	340	50	50	25	15
30T		30	770	0.37-6	2100	1420	160	350	50	50	25	15
40T		40	885	1.1-8	2120	1650	165	369	80	80	25	15
50T		50	885	1.1-8	2200	1850	185	433	80	80	25	15
60T		60	885	1.1-8	2450	1870	220	730	80	80	25	15
70T		70	1000	1.1-8	2550	2020	368	753	100	100	40	20
80T		80	1190	1.5-8	2680	2350	460	1023	100	100	40	20
90T		90	1470	2.2-12	2760	2520	650	1080	100	100	40	20
100T		100	1470	2.2-12	2870	2900	695	1130	125	125	40	20
125T		125	1800	4-12	3200	3300	908	1588	125	125	40	20
150T		150	1800	4-12	3450	3300	1015	2035	125	125	40	20
175T		175	1800	4-12	3800	3600	1310	2540	150	150	50	20
200T		200	1800	4-12	4000	4000	1613	3317	150	150	50	25
250T	250	2400	5.5	4350	4500	2121	3876	200	200	50	25	
300T	300	3000	7.5	4600	4900	2235	3990	200	200	50	25	

产品规格参数如有变动，恕不另行通知。
Specifications are subject to change without notice.

冷却塔水泵

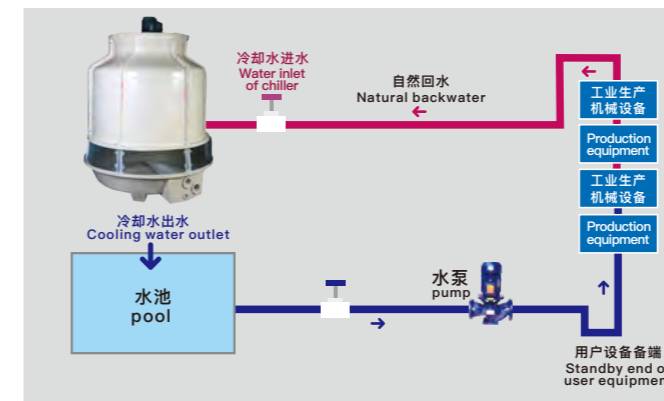
Cooling tower pump

冷却塔安装结构图一
Cooling tower installation structure 1



水泵把冷却塔里的水抽到密封的设备，一般密封的管路有压力把水自动压回冷却塔
(若管路长，弯道多，也可建议水泵型号配大或回水另装水泵)
(若对方设备是敞开的水槽，则回水一定需要另外配水泵)
The water pump pumps the water in the cooling tower to the sealing equipment. Generally, the sealed pipeline has pressure to automatically press the water back to the cooling tower
(If the pipeline is long and there are many bends, it is also recommended that the pump model be equipped with a large one or the return water be installed with another pump)
(If the opposite equipment is an open water tank, the return water must be equipped with another pump)

冷却塔安装结构图二
Cooling tower installation structure 2



冷却塔略高或架在水池上，自然流到水池。水泵把水池的水抽到密封的设备。
因为设备是密封的，回水自然有压力。
(若设备是敞开的水槽，回水需另外安装水泵)。
The cooling tower is slightly raised or supported on the pool, and flows to the pool naturally. The pump draws the water from the pool to the sealed equipment. Because the equipment is sealed, the return water naturally has pressure
(If the opposite equipment is an open water tank, the return water must be equipped with another pump)



立式管道离心增压泵
Vertical pipeline centrifugal booster pump

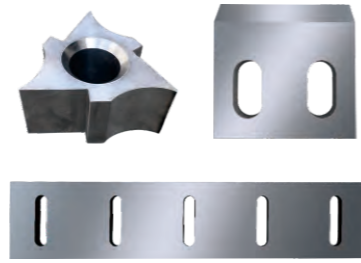
水泵参数表 >> Technical parameters

型号 Model	流量 Flow M³	扬程 (垂直距离) lift (vertical distance)	功率 Power KW	匹配冷却塔参照 T Match cooling tower reference
IRG25-125	4	20	0.75	3-6
IRG32-100I	8	10	1.1	6-8
IRG50-100	12.5	12.5	1.1	10-12
IRG50-125	12.5	20	1.5	10-16-20
ISG50-100I	25	12.5	1.5	20-25
ISG50-125I	25	20	3	20-25
IRG65-125	25	20	3	30
ISG80-100	50	12.5	3	40-50
80-125	50	20	5.5	50-60
80-160B	43.3	24	5.5	40-50
65-125A	22.3	16	2.2	20-25-30
80-125A	45	16	4	40

产品规格参数如有变动，恕不另行通知。
Specifications are subject to change without notice.

强力粉碎机

Powerful crusher



刀架, 刀片
Cuttersaddle, cutter



刀架
Cuttersaddle



筛网Screennetting
筛网之孔径决定破碎颗粒大小,
可根据客户要求订做。
Customiaedscreenmeshavailable

强力粉碎机参数表 >>

Technical parameters

型号Model	180	250	300	400	500	600	800	1000
粉碎能力KG/H Crushing ability	50-100	150-200	200-300	250-450	400-700	450-800	650-1300	750-1500
电压 Voltage	380V (三相电3phase) ★							
电机功率KW Power	1.5/2.2	4	5.5	7.5	11	15	30	37
电机功率HP Power	2P/3P	5.5	7.5	10	15	20	37	50
旋转刀数量 Rotary Blade	9	6	9	12	15	18	24	30
固定刀数量 Fixed Blade	2	2	2	2	2	4	4	4
旋转直径MM Rotational diameter	148	225	240	250	310	350	400	400
筛网孔径MM Screen	6	8	8	10	10	10	12	12
刀轴转速r/min Shaft Speed	520	617	617	650	627	576	480	480
进料口尺寸MM Feed Port Size	150*200	200*250	220*320	250*420	300*520	330*620	500*820	550*1020
料层尺寸(MM) Drawer size	440*285*209	715*305*225	795*370*225	865*470*257	1050*620*277	1050*710*330	/	/
外形尺寸MM Dimension	630*520*950	900*700*1050	1000*750*1180	1060*880*1320	1150*1000*1450	1200*1060*1650	1850*1410*2130	1950*1580*2500
机重KG Weight	120	230	330	430	550	620	1700	2800

产品规格参数如有变动, 恕不另行通知。
Specifications are subject to change without notice.

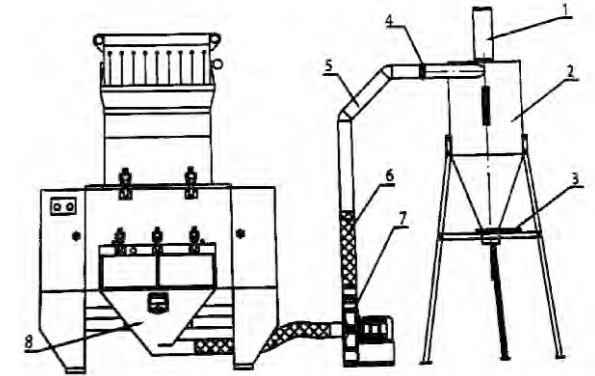
强力塑料粉碎机

Powerful plastic shredder



可配回收系统 >>

1. 集尘袋
2. 储料桶
3. 抽拉板
4. 快装接头
5. 不锈钢管
6. PVC钢丝管
7. 送料风机
8. 接料斗



规格技术参数 >>

Technical parameters

机型Model	300	400	500	600	700	800	1000	
电机功率 Motor Power	kw	5.5	7.5	11	15	22	30	37
	HP	7	10	15	20	30	40	50
主轴转速(r/min) Spindle speed	610	580	600	506	493	440	440	
主轴直径(mm) Spindle diameter	72	72	78	82	110	110	110	
动刀数(把) Rotary Blades	9	12	15	18	21	24	6	
定刀数(把) Fixed Blades	2	2	2	4	4	4	4	
工作效率 (kg/h) Crushing ability	150-200	250-400	300-500	500-600	600-700	700-800	900-1000	
进料口尺寸(mm) Feed Port Size	300*200	400*250	500*285	600*315	685*430	800*450	1000*500	
机重 (kg) Weight	300	430	550	800	1325	1800	2000	
筛网孔直径(mm) Mesh diameter	Φ8	Φ10	Φ10	Φ12	Φ12	Φ12	Φ14	
外形尺寸 (m) Dimension	1.07*0.72*1.08	1.29*0.86*1.18	1.37*1.06*1.39	1.54*1.15*1.66	1.75*1.25*1.96	1.95*1.37*2.18	2.25*1.60*2.40	

1、最大粉碎量取决于筛网孔径和粉碎材料等因素。2、粉碎时噪音因粉碎材料不同而异。
1、The maximum amount of crushing depends on the mesh size and crushing material. 2、The noise varies with different materials.
产品规格参数如有变动, 恕不另行通知。
Product parameters are subject to change without notice.

中速机边粉碎机

Medium speed machine side grinder



高立口型 (适合机械手投料)
Vertical mouth type (suitable for manipulator feeding)



矮鸭口型 (适合人工投料)
Short duck mouth type (suitable for manual feeding)

机边即回粉碎机参数 >>

Technical parameters

型号	180	240	300
电压 (V) Power	380V (三相电3phase) ★		
旋转刀数量 Rotary Blade	9	12	9
固定刀数量 Fixed Blade	2	2	2
进料口尺寸 (mm) Feed port size	180*180	220*240	270*300
风机功率 (w) Fan Power	550	550	550
电机功率 (kw) Motor Power	1.1	1.5	2.2
筛网孔径 (mm) Screen	7可定制Customizable	7可定制Customizable	7可定制Customizable
粉碎能力 (kg/h) Crushing ability	150	200	300
矮口外形尺寸 (mm) dimension of short	600*650*880	650*700*980	750*520*1190
高口外形尺寸 (mm) dimension of high	600*650*1080	650*700*1200	750*520*1420
机器重量 (kg) Weight	105	150	210

备注: 外形尺寸为长*宽*高。人工投料请选矮口, 机械手投料请选高立口。

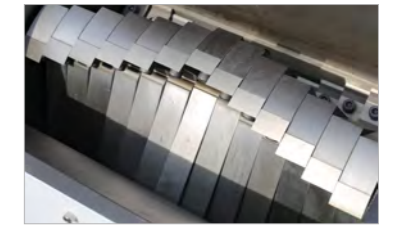
Note: the overall dimension is L * w * H. For manual feeding, please select the low port, for manipulator feeding, please select the high vertical port.

产品规格参数如有变动, 恕不另行通知。

Specifications are subject to change without notice.

中低速多刀机边粉碎机

Medium and low speed multi-knife edge grinder



SKD-11刀具
SKD-11 cutlery



纯铜电机
Pure copper motor



时间继电器
Time relay

技术参数 >>

Technical parameters

型号 Model	中低速8刀 8 Blades	中低速10刀 10Blase	中低速13刀 13Blades	中低速15刀 15Blades
电压 Voltage	3phase三相/380V 50HZ			
功率 (KW) Power	2.2KW	2.2KW	3.7KW	3.7KW
电机品牌 Motor brand	晟邦 CHENG PANG			杰牌 JIE
粉碎口径 Crushing chamber	240*260mm	260*280mm	370*300mm	260*430mm
投料口尺寸 Feed prot size	310*270mm 470*520mm (喇叭口Bell mouth)	310*270mm 470*520mm (喇叭口Bell mouth)	440*310mm 470*520mm (喇叭口Bell mouth)	580*330mm
动刀 Rotary blade	8把*3=24把	10把*3=30把	13把*3=39把	15把*3=45把
刀具材质 Blade material	SKD-11	SKD-11	SKD-11	SKD-11
转速 Speed	约143r/min	约143r/min	约143r/min	约143r/min
筛网 Screen	标准(standard)6MM	标准(standard)6MM	标准(standard)6MM	标准(standard)6MM
外形尺寸 Dimension	750*470*1250mm	900*470*1250mm	950*480*1460mm	1150*800*1260mm
重量 Weight	185KG	192KG	265KG	233KG

产品规格参数如有变动, 恕不另行通知。

Specifications are subject to change without notice.

慢速机边粉碎机

Slow machine edge crusher



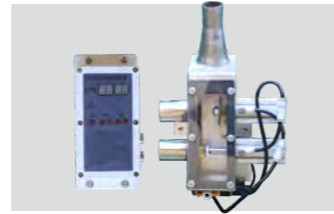
慢速粉碎机参数 >>
Technical parameters

型号model	1P	2P	3P	5P(标准款) Standard	5P(加大加宽款) Increase and widen mode
功率(KW) Power	1.1KW	1.5KW	2.2KW	3.7KW	3.7KW
进料口尺寸(MM) Feed port size	246*317	317*317	317*423	350*423	384*474
粉碎室尺寸(MM) Size of crushing chamber	245*260	315*315	310*420	345*420	385*480
S刀回转直径(MM) S Blade rotation diameter	210	268	268	310	350
菠萝刀尺寸(MM) Pineapple blade size	Ø102*79	Ø110*89	Ø110*89	Ø110*89	Ø140*100
动刀 (菠萝刀) Pineapple Blades	3把	3把	4把	4把	4把
动刀 (S刀) S Blade	2把	2把	3把	3把	3把
定刀 (边刀) Fixed Blade	6把	6把	8把	8把	8把
刀具结构 Tool structure	爪刀+滚刀 Claw knife + hob				
刀具材质 Blade material	SKD-11	SKD-11	SKD-11	SKD-11	SKD-11
主轴转速 Speed	24 (转)	24 (转)	24 (转)	24 (转)	24 (转)
机身尺寸(MM) Dimension	905*440*1290	1030*485*1330	1160*485*1350	1160*535*1360	1360*610*1510

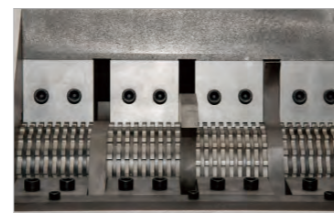
产品规格参数如有变动，恕不另行通知。
Specifications are subject to change without notice.



旋风回收系统
Cyclone recovery system



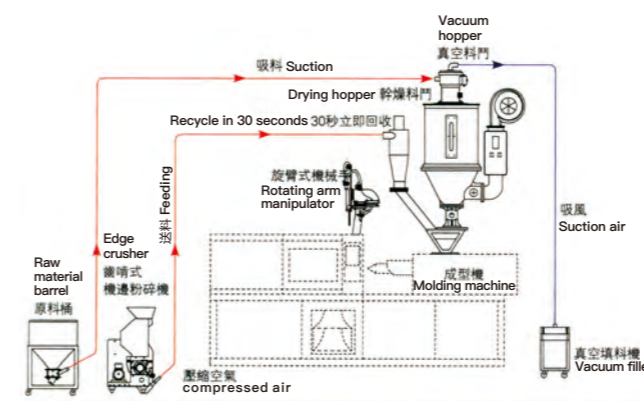
两料比例阀回收系统
Two material proportioning valve recovery system



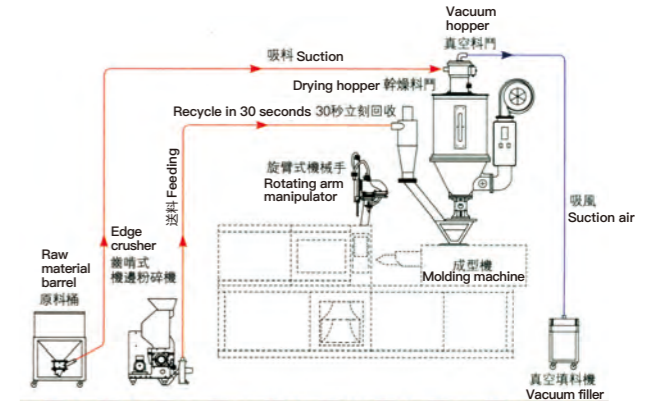
SKD-11菠萝刀
SKD-11Pineapple knife

中速/慢速机边粉碎机 回收安装使用范例

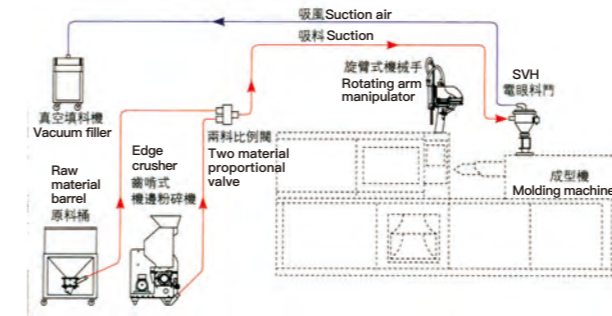
Application example



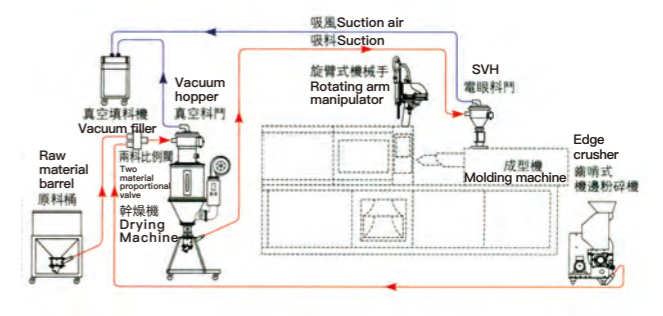
1 气动+旋风回收系统
Pneumatic + cyclone recovery system



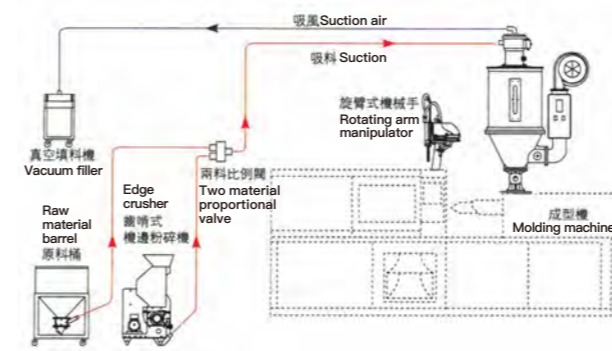
2 风机+旋风回收系统
Fan + cyclone recovery system



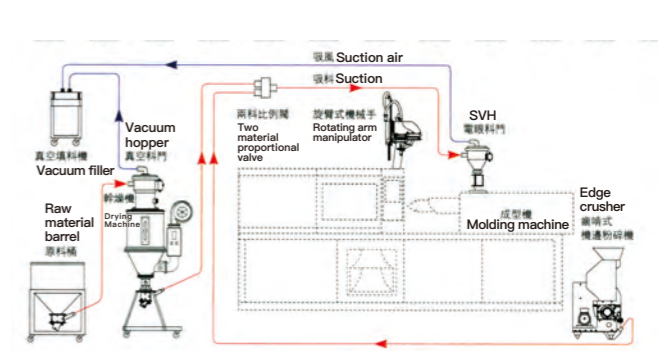
3 两料比例阀回收系统
Two material proportional valve recovery system



4 两料比例阀回收系统
Recovery system of two material proportioning valve



5 两料比例阀回收系统
Recovery system of two material proportioning valve



6 两料比例阀回收系统
Recovery system of two material proportioning valve

慢速静音双轴粉碎机

Slow and silent shredder with double shaft



- ◆无筛网设计, 碎料均匀粉末少
No screen design, uniform granules and less powder, easy to clean
- ◆结构合理, 双排刀具设计, 适合大型不良产品的回收
Reasonable structure, double-row cutter design, suitable for large-scale bad product recycling
- ◆刀具材质采用优质SKD-11, 经久耐用
Structural tool material adopts high quality SKD-11, durable
- ◆20-30rpm低速运转, 省电, 无噪音
20-30 RPM operates at low speed, saves points and has no noise pollution
- ◆中空轴型齿轮减速电动机, 无需加油
The hollow axle gear reducer motor with reasonable structure needs no refueling
- ◆适合回收PC, ABS, 尼龙等硬质较大, 较厚水口料
Suitable for recycling PC, ABS, nylon and other hard, thick nozzle materials

技术参数 >>

Technical parameters

型号 Model	L2-6376
功率(KW) Power (KW)	7.5
进料口尺寸(MM) Grinding Chamber (MM)	688*560
动刀(菠萝刀) Rotary Blade (Pineapple Blade)	8把
动刀(S刀) Rotary Blade (S Blade)	6把
定刀(边刀) Fixed Blade	16把
刀具结构形式 Blade structure mode	动刀(菠萝刀)+S刀+定刀 Rotary Blade+S Blade+ Fixed Blade
刀具材质 Material of Blade	SKD-11
粉碎能力(KG/H) Crushing capacity (KG)	200(以PP为标准) 200 (based on PP material)
机身尺寸(MM) Machine size	1980*1017*1938

小型撕碎机

Small shredder with single shaft



小型撕碎机 >>

Technical parameters

主要技术参数 Model	EB180	EB300	EB400	EB500
电机 Power	1.5KW	3KW	4KW	7.5KW
减速机 Reducer	JL1#	JL2#	JL3#	JL4#
刀片规格 Blade spec	Φ90*8	Φ180*12	Φ180*15	Φ200*20
刀片数量 Blades number	21片	24片	26片	25片
料口尺寸 (mm) Grinding Chamber (MM)	300*300*150	500*500*300	500*600*300	600*700*400
机器外形尺寸 (mm) Machine size (MM)	600*400*730	1100*650*1350	1250*650*1450	1400*750*1600
电压 Voltage	220V		380V	

薄膜粉碎机

Film pulverizer



机器特点 >>

- 无轴旋转，切削空间大，发热小。
- 适合粉碎回收PE、PP等塑料薄膜材料。
- 超大惯性轮使矩加大，产能提高。
- 独特设计的前刀型刀架结构，更加有利于提高工作效率。
- No axis rotation with a large cutting space and low heat dissipation.
- Suitable for crushing and recycling PE,PP and other plastic film materials.
- Large flywheels to increase the torque and capacity as a result.
- Unique design of scissors-type cutter frame improves efficiency.

薄膜粉碎机参数 >>

Technical parameters

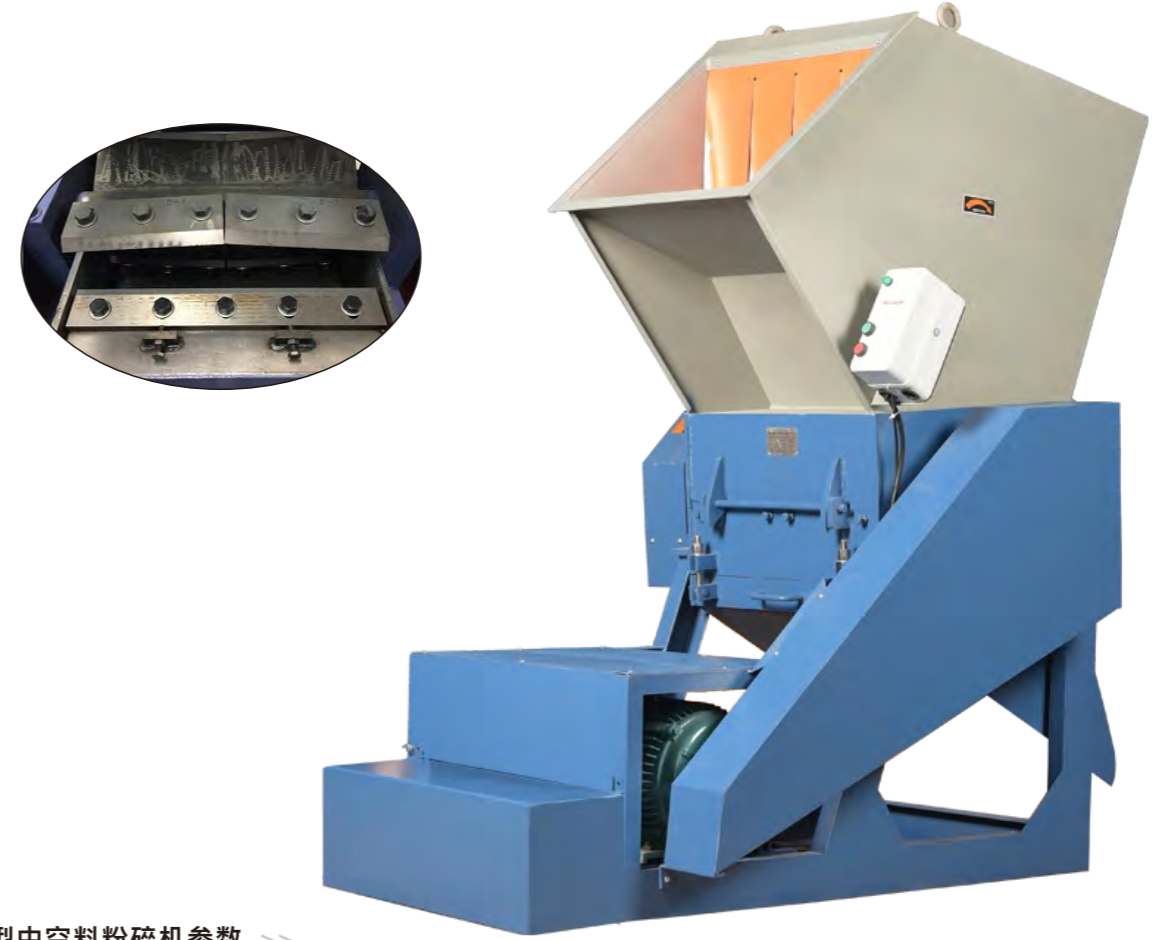
Model 型号	300型	400型	500型
主轴直径 (mm) Main shaft Diameter	50	60	60
旋转刀数量 Rotary Blade	6	3	3
旋转刀长度 (mm) Rotary Blade length	300	400	500
固定刀数量 Fixed Blade	2	2	2
固定刀长度 Fixed Blade length	300	400	500
粉碎能力 (kg/h) crushing ability	180-250	250-350	300-450
筛网孔径 (mm) Mesh diameter	Φ8	Φ10	Φ10
刀轴转速 (r/min) Cutter shaft speed	550	500	550
电机功率 (kw) Power	4	5.5	7.5
进口尺寸 (mm) Feed port size	350*200	520*270	620*270
机器重量 (kg) Weight	180	380	430

产品规格参数如有变动，恕不另行通知。

Specifications are subject to change without notice.

大型中空料粉碎机

Large hollow material crusher



大型中空料粉碎机参数 >>

Technical parameters

型号 Model	3350	3860	5065	4280	421000
电压 (V) Voltage	380V (三相电3phase) ★				
粉碎室宽度 (mm) Width of crushing chamber	500	600	650	800	1000
旋转直径 (mm) Rotational diameter	330	380	500	420	420
旋转刀数量 Rotary Blade	6	6	6	6	6
固定刀数量 Fixed Blade	2	4	4	4	4
进料口高度 (mm) Feed height	1360	1450	1780	1780	1780
进料口尺寸 (mm) Feed port size	500*470	600*520	650*520	800*480	1000*480
主轴直径 (mm) Spindle diameter	90	90	110	110	110
主轴转速 (r/min) Spindle speed	500	500	500	480	480
电机功率 (kw) Power	11	15	18.5	22	30
筛网孔径 (mm) Mesh diameter	10可定制 Customizable	12可定制 Customizable	14可定制 Customizable	12可定制 Customizable	14可定制 Customizable
粉碎能力 (kg/h) Crushing Ability	400-500	500-600	550-800	600-1000	700-1200
外形尺寸 (mm) Dimension	1350*1000*1800	1600*1100*1900	1750*1100*2300	1800*1340*2200	1850*1600*2200
机器重量 (kg) Weight	650	750	1120	1400	1700

产品规格参数如有变动，恕不另行通知。

Specifications are subject to change without notice.

干燥机

Dryer



原料温度参考表:
Raw material temperature reference table

原料 Material	干燥温度 Drying temperature	干燥时间 Drying time
PE.PP	80°C	2小时(hour)
PS	82°C	2小时(hour)
ABS	82°C	2小时(hour)
Cellulose series	71°C	2小时(hour)
Polycarbonate	120°C	2小时(hour)
Nylon	82°C	2.5小时(hour)
PVC	71°C	1.5小时(hour)

以成型机每小时射出量计算,
Calculated by the injection volume of molding machine per hour
选择方法: 每小时射出量x2.5=干燥机装料量选择
等于或大于计算结果的干燥机
Selection method: injection quantity per hour x2.5 = dryer
loading quantity select a dryer equal to or greater than the
calculation result

干燥机参数表 >>
Technical parameters

型号 Model	底座尺寸 Base Dimension	外形尺寸 (cm) Dimension	容量(KG) Capacity	电热(KW) Heating power	净重(KG) Power
15KG	11*11*4	69*35*81	15	2.7	22
25KG	15*15*6	74*42*86	25	3.5	34
50KG	16*16*7	88*49*103	50	5	45
75KG	16*16*7	92*56*113	75	6	56
100KG	18*18*8	103*63*120	100	9.5	68
150KG	18*18*8	104*68*130	150	10.5	78
200KG	23*23*11	122*76*148	200	14	110
250KG	23*23*11	122*76*168	250	15	125
300KG	23*23*11	128*87*163	300	15	152
400KG	28*28*12	139*94*175	400	18	170
500KG	28*28*12	139*94*195	500	20	220
600KG	28*28*13	158*115*210	600	24	280
800KG	28*28*14	165*125*225	800	30	380

产品规格参数如有变动, 恕不另行通知。
Specifications are subject to change without notice.

欧化干燥机

European dryer



欧化干燥机参数表 >>
Technical parameters

型号 Model	装料量 (L) Loading capacity	干燥电热 (KW) Heating power	风机(W) Fan	外形尺寸 (MM) Dimension	净重 (KG) Weight
25	25	3	135	580*460*680不含脚架	45
50	50	5	155	650*460*1390	70
100	100	10	210	760*560*1600	90
150	150	10	210	880*680*1805	110
200	200	12	320	880*680*2060	140
300	300	12	320	990*790*2180	170
400	400	18	400	1179*920*1880	250
500	500	18	1100	1290*1040*2310	300
600	600	24	1100	1290*1040*2490	360
800	800	24	1500	1340*1090*2760	450
1000	1000	34	2200	1580*1250*3145	520
1500	1500	51	4000	1700*1365*3400	680

产品规格参数如有变动, 恕不另行通知。
Specifications are subject to change without notice.



除湿干燥送料三机一体有蜂巢式除湿机、保温式干燥料筒、吸料机所组成, 所有设备安装在一个可移动式脚架上,是集除湿、干燥、送料三种功能于一体,适用于各种塑胶原料,尤其是强吸湿性的工程塑料,如PA、PC、LCP、PET、PBT等,在理想状态下可达到-40°C或-5°C的露点。

Dehumidification and drying feeding machine integrated with three honeycomb dehumidifier, insulation type drying cylinder, composed of suction machine, all equipment installed in a portable tripod, is a set of dehumidification, drying, feeding three functions in one, suitable for all kinds of plastic raw materials, especially strong hygroscopic engineering plastic, such as PA, PC, LCP, PET, PBT and so on, in the ideal state can reach -40 or -5°C dew point.

输送一体式除湿干燥机参数 >>
Technical parameters

参数 型号	50	80	120	150	200	300	400	500	700	1000
干燥风量 M ³ /hr Dry air volume	50	80	120	150	200	300	400	500	700	1000
干燥风车耗点量 kw Consumption of Fan	0.4	0.75	1.1	1.5	2.2	3.8	5.5	7.5	7.5	7.5
再生风车耗电量 kw Power consumption of regeneration fan	0.2	0.2	0.375	0.375	0.375	0.75	0.75	1.5	2.2	3
再生风电热耗电量kw Electric power consumption of regeneration	2.7	3.8	3.8	5.4	5.4	7.2	7.2	10	12	12
出入口之管径 Inch Diameter of inlet and outlet	2"	2"	2"	2"	2"	2"	2"	2"	2"	2"
电压 v Voltage	220/380/415/440(3)									
宽度 mm Width	500	600	600	600	630	700	700	950	1100	1100
深度 mm Depth	680	680	680	780	830	950	1000	1050	1200	1400
高度 mm Height	1250	1300	1300	1480	1550	1600	1820	1900	2100	2350
重量 kg Weight	150	215	215	272	392	405	575	650	880	880

产品规格参数如有变动, 恕不另行通知。
Specifications are subject to change without notice.



产品特点 >>

1. 广泛适用于任何塑料原料的烘干, 并可同时烘干不同材质、颜色的材料。尤其适合烘干对温度精度要求高、用量少、多种颜色的材料。也适合于食品、制药、电子、电镀等行业预热或干燥处理时使用。
 2. 采用数显温度控制, 精确控制干燥温度。
 3. 可加装时间控制, 方便各种物料的干燥参数设定。
 4. 优质保温材料、高密封设计, 避免不必要的能量损耗。
1. Widely applicable to the drying of any plastic raw materials, and can dry thousands of materials of different materials and colors at the same time. It is especially suitable for drying materials with high temperature precision, less consumption and multiple colors. It is also suitable for preheating or drying in food, pharmacy, electronics, electroplating and other industries.
 2. Digital display temperature control is adopted to accurately control the drying temperature.
 3. Time control can be added to facilitate the setting of drying parameters for various materials.
 4. High quality thermal insulation materials and high sealing design to avoid unnecessary energy loss.

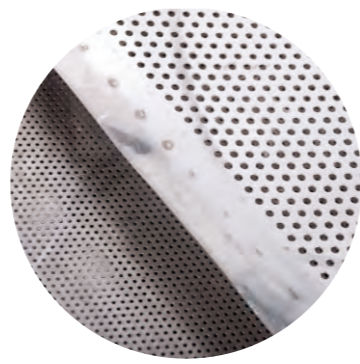
烘箱(鼓风干燥机)参数 >>
Technical parameters

主要技术参数 Technical parameters	SC101-1A	SC101-2A	SC101-3A	SC101-4A	SC101-5A
工作室尺寸(深*宽*高mm) Dimensions of working chamber	350*450*450	450*550*550	500*600*750	800*800*1000	800*1200*1200
外形尺寸(深*宽*高mm) Dimension	580*840*820	680*940*930	750*1020*1120	1040*1200*1390	1100*1620*1670
使用范围(oc) Range	Room temperature 温室~250				
工作电压(V) Voltage	220	220	220	380	380
电机功率(kw) Moter Power	2.2	3.2	4	9	12
烘箱层数 Layer number	4	5	6	6	6
可放托盘数 Pallet	4	5	6	12	16
干燥能力(kg) Drying capacity	20-30	40-60	60-80	100-120	240-300
机器重量(kg) Weight	60	70	120	260	约400

产品规格参数如有变动, 恕不另行通知。
Specifications are subject to change without notice.

直线振动筛

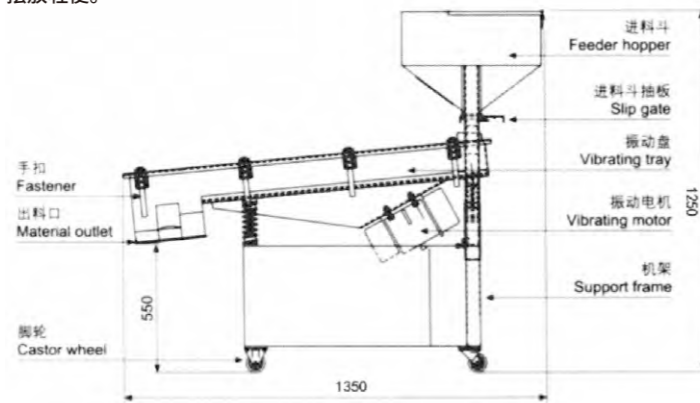
Linear vibrating screen



筛网 更好地筛选分类
Screen Mesh
Better screening and classification
筛网孔径可根据客户需求定做
Mesh size can be customized
according to customers' needs

- 设计精巧耐用,换网、清洗方便、快捷。
- 杂质粗料自动排出,可以自动化作业。
- 与原料接触部分均由不锈钢材料制成,保证原料的精纯度。
- 故障少,保养简易、维修方便,重量轻,底座配有脚轮,移动、摆放轻便。
- 筛网孔径除标准配置外,可根据客户要求订做。

- Exquisite and durable design, simple operation
- Easy and convenient to clean up and change the meshes
- Impurities and coarse materials are able to be expelled automatically, realizing automated operation. Fully stainless steel construction, ensuring material purit
- Less malfunctions, easy maintenance and convenient to repair. Light weight and base equipped with castor wheels easy to move place
- The hole size of mesh is able to be customized apart from standard configuration



参数表 >>

Technical parameters

型号(KG)	功率 Power	筛选能力 Ability to filter	筛网尺寸 Mesh size	筛网层数 Layer of Mesh	筛网孔径 Mesh hole	产品尺寸 Dimensions	净重 Weight
Model	Kw	KG/H	mm	pcs	pcs	mm	Kg
500X1000	0.55	350-600	1000x410	2	2	1300x500x1200	80
600X1200	0.55	350-600	1200x480	1	1	1300x600x1400	90

产品规格参数如有变动,恕不另行通知。
Specifications are subject to change without notice.

真空吸料机

Vacuum suction machine

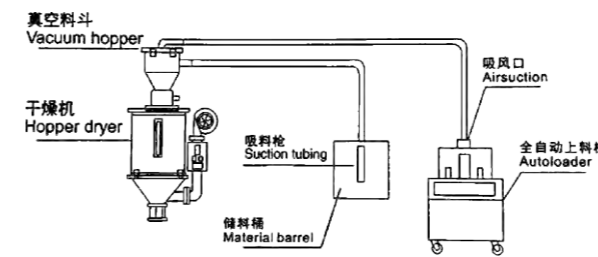


300型碳刷式
300 carbon brush type



700型碳刷式
700 carbon brush type

结构简图 >>



800型感应式升级款
800 type Inductive upgrade

吸料机参数表 >>

Technical parameters

型号 Model	300	700	800	800GE	800GN
马达形式 Motor form	碳刷式220v Carbon brush	碳刷式220v Carbon brush	感应式380v Induction	感应式380v Induction	感应式380v Induction
马达规格 Motor specifications	1.2kW	1.2KW	1.1KW	1.5KW	2.2KW
输送能力 (kg/hrr) Conveying capacity	300	350	300	400	500
静风压 (mmAq) Static wind pressure	1800	1800	1880	2400	2400
储料桶容量 (L) Bucket capacity	8	8	8	8	8
输料管内径 (mm) Inner diameter of feed pipe	M38	M38	M38	M38	M38
外形尺寸 (mm) 主体 Dimension	320*360*560	380*320*560	480*360*700	480*360*700	480*360*700
外形尺寸 (mm) 储料桶 Bucket dimension		280*340*460	280*340*460	280*340*460	280*340*460
重量 (kg) Weight	18	28	53	53	58

产品规格参数如有变动,恕不另行通知。
Specifications are subject to change without notice.

欧化大功率吸料机

European high power suction machine



标准料斗
Standard hopper



加大料斗
Increase hopper

欧化吸料机参数表 >>

Technical parameters

Model型号	HP-1.5	HP-2.2	HP-3.0	HP-4.0	HP-5.5	HP-7.5
马达功率 Motor power	1.5KW	2.2KW	3.0KW	4.0KW	5.5KW	7.5KW
输送能力 (kg/h) Conveying capacity	500	500	600	700	800	1000
吸料扬程 (m) Suction lift	6	6	6	6	8	10
静风压 (mm/h20) Static wind pressure	2400	2400	2400	2400	2400	2400
电压 (V) Voltage	380★三相电3phase					
储料桶容量 (L) Material Hopper capacity	8	8	25	30	35	40
送料管内径 (mm) Inside diameter of feed pipe	38	38	38	50	50	50
配送管 (m) Delivery pipe	5	5	5	5	6	6
尺寸cm Dimension	45*35*102	45*35*102	50*40*107	50*40*107	60*48*133	60*48*133
主机净重 (kg) Weight	56	76	80	85	95	105

产品规格参数如有变动，恕不另行通知。

Specifications are subject to change without notice.

全自动除尘吸料机 (免人工清理)

Automatic dust collector (no manual cleaning)

性能特点 >>

Product features

免清洗吸料机优点:

1. 350一体式设计, 950/960主机与料斗分体设计。安全、简便、输送顺畅。
2. 采用纳米无纺布过滤, 搭配控制器清网功能, 实现自动电子脉冲除尘功能。950/960配备压缩气罐, 反吹更强劲, 运转更稳定, 有效的无需人工清尘工作。
3. 主机电机无粉末, 不易损坏。
4. 无粉末排除, 车间干净、整洁又环保。

适用于颗粒新料、色母料、破碎回收料、流动性较好的物料, 也适用于在颗粒加色粉原料及破碎过程中产生大量粉末搅拌的物料。(不适用于外加超过20%以上的粉末或全粉料)

Advantages of no cleaning suction machine:

1. 350 integrated design, 950 / 960 main engine and hopper separated design. It is safe, simple and easy to transport.
2. It adopts nano non-woven fabric filtration, with the net clearing function of the controller, to realize the automatic electronic pulse dust removal function. The 950 / 960 is equipped with a compressed air storage tank, with stronger back blowing, more stable operation, and effective dust free operation.
3. The main motor is free of powder and is not easy to be damaged.
4. No powder is removed, and the workshop is clean, clean and environmental friendly.

It is suitable for new granular materials, color masterbatch, broken recycled materials, materials with good fluidity, as well as materials with large amount of powder mixing in the process of granular coloring powder raw materials and crushing. (not suitable for addition of more than 20% powder or all powder)



350型除尘
350 type dust removal



耐高温油过滤器
Temperature and oil resistant filter



950/960型除尘
950 / 960 dedusting type



技术参数 >>

Technical parameters

型号MODEL	除尘(Remove dust)350	除尘欧化(european remove dust)950	除尘欧化(european remove dust)960
马达形式 Motor form	碳刷式(Carbon brush)220v	感应式(Induction)380V	感应式(Induction)380V
功率Power	1.2KW	1.8KW	2.2KW
输送能力Conveying capacity	300kg/hrr	400kg/hrr	500kg/hrr
滤清器Filter	M185*90H	M188*115H	M188*115H
储料桶容量Bucket capacity	15L	15L	15L
输料管内径 Feed pipe	M38mm	M38mm	M38mm
外形尺寸 Dimension	350mm*330mm*680mm	450mm*430mm*1020m	450mm*430mm*1020mm
主体重量Weight	25kg	50kg	52kg

产品规格参数如有变动，恕不另行通知。

Specifications are subject to change without notice.

金属分离器

Metal separator



振动筛金属分离器组合
Vibrating screen metal separator combination



安装在注塑机上的金属分离器
Metal separator installed on injection molding machine

规格技术参数 >>

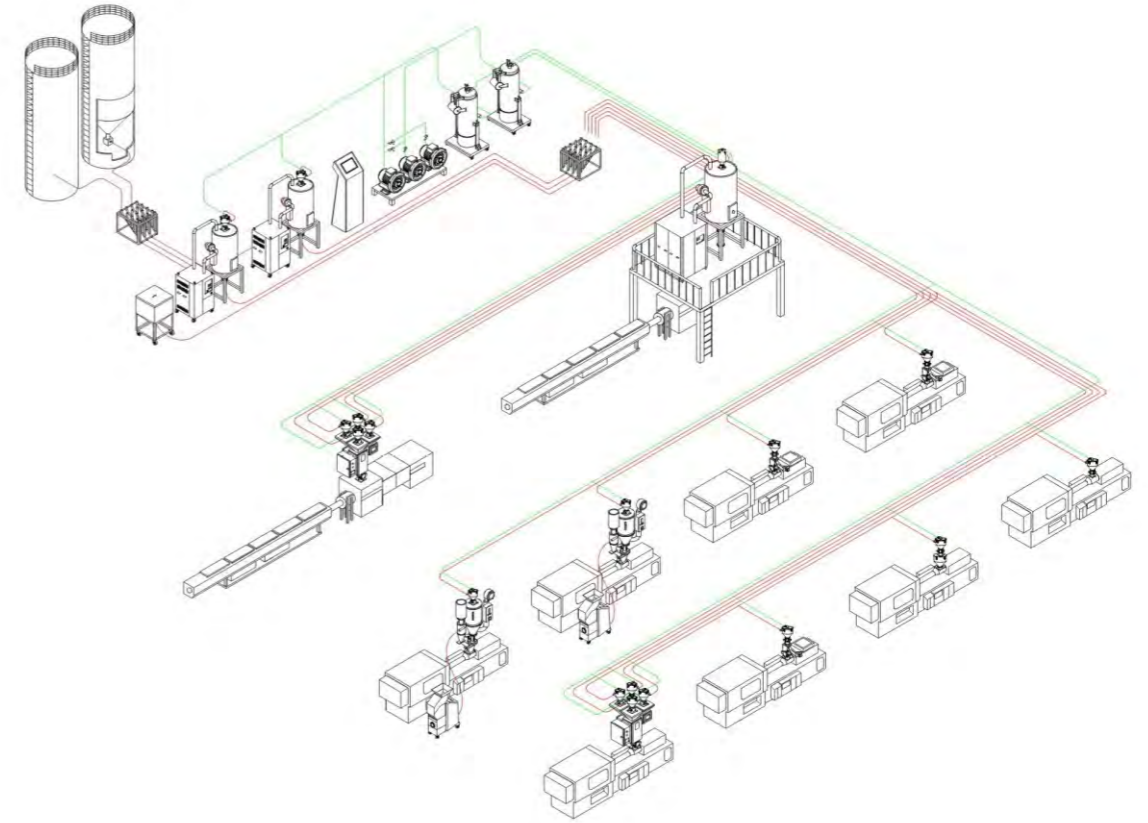
Technical parameters

型号 Model	25#	35#	50#	65#	80#	100#	110#
检测管口径 Detection tube passage	Ø25MM	Ø35MM	Ø50MM	Ø65MM	Ø80MM	Ø100MM	Ø110MM
处理器 Processor	200-300KG/H	300-400KG/H	700-1000KG/H	800-1200KG/H	1000-1400KG/H	1200-1700KG/H	1400-2000KG/H
落料高度 Blanking height	不高于500MM Less 500MM	●	●	●	●	●	●
适合物料 Suitable for materials	颗粒/粉状/片状 Granular/powdery/flaky	●	●	●	●	●	●
工作电压 Voltage	220-240V,50/60HZ,1.6A	●	●	●	●	●	●
外壳材料 Housing material	304SUS	●	●	●	●	●	●
外形尺寸 Size	310*325*400MM	●	●	●	●	410*380*500MM	410*380*500MM
最高检测灵敏度 Maximum detection sensitivity	FE Ø0.3MM	FE Ø0.4MM	FE Ø0.5MM	FE Ø0.7MM	FE Ø0.9MM	FE Ø1.5MM	FE Ø1.8MM
	304SUS Ø0.6MM	304SUS Ø0.8MM	304SUS Ø1.0MM	304SUS Ø1.2MM	304SUS Ø1.5MM	304SUS Ø2.0MM	304SUS Ø2.5MM
	非铁金属 Ø0.6MM Non ferrous metals	非铁金属 Ø0.5MM Non ferrous metals	非铁金属 0.6MM Non ferrous metals	非铁金属 Ø0.8MM Non ferrous metals	非铁金属 Ø1.0MM Non ferrous metals	非铁金属 Ø1.6MM Non ferrous metals	非铁金属 Ø2.0MM Non ferrous metals

产品规格参数如有变动，恕不另行通知。
Specifications are subject to change without notice.

中央供料系统

Central feeding system



中央供料系统 >>

Central feeding system

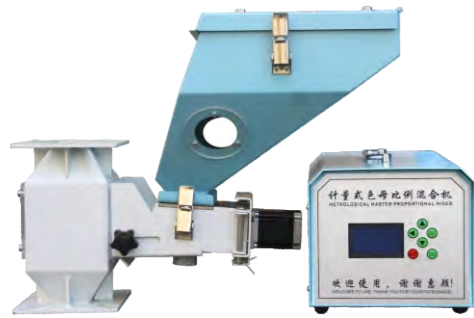
中央供料系统是为注塑或挤出车间的塑料产品生产而设计的，所以也叫注塑或挤出车间中央供料，它实现了不间断无人化连续成型作业。可根据需要改变原料品种、多颜色材料的组合使用方式，实现着色工序的自动化。系统能够以全自动方式再生和使用注口冷料，能够对所有供料设备的控制，并防止了储料仓内阻塞现象的发生，通过设置中央监控台实现全自动化。

The central feeding system is designed for the production of plastic products in injection molding or extrusion workshops, so it is also known as the central feeding system in injection molding or extrusion workshops. It achieves uninterrupted unmanned continuous molding operations. The variety of raw materials and the combination of multi-color materials can be changed as needed to achieve automation of the coloring process. The system is capable of fully automatic regeneration and use of injection port cold materials, controlling all feeding equipment, and preventing the occurrence of blockage in the storage bin. Full automation is achieved by setting up a central monitoring station.



计量式色母混合机

Metering color master mixer



单螺杆按键机械款
Single screw key mechanical model



双螺杆带搅拌触屏款
Twin-screw with stirring touch screen

NCVD计量式色母混合机适用于新料, 次料, 色母添加剂的自动比例混合, 依据预先设定的比例混合, 透过全数位微电脑控制系统设定的条件自动转换成转速直接驱动精密螺杆挤出原料,其误差值不高于±1%。该产品螺杆分为12.14.16三种,可组合成六种机型,提供0.1到38公斤的不同输出量, 另可组合成双色色母机使用,可依客户需求搭配任意两种色母使用。

The NCVD volumetric dosing unit are suitable for new material,regind& masterbatch,automatically proportionl mixing with additive,microprocessor control system with precision screw driven extrusion ,accuracy upto ±1% Screw diameter of 12.14.16 mm are available ,capaci ty output of 0.1-38 kg/perhour, able to combindin to double doser according to customer require ments.

机械手臂

Robotic arm



特点 >> Features

注塑机械手是为注塑生产自动化专门配备的机械,它可以在减轻繁重的体力劳动、改善劳动条件和安全生产;能够模仿人体上肢的部分功能,可以对其进行自动控制使其按照预定要求输送制品或操持工具进行生产操作的自动化生产设备。提高注塑成型机的生产效率、稳定产品质量、降低废品率、降低生产成本、增强企业的竞争力等方面起到极其重要的作用。

The injection molding manipulator is a machine specially equipped for the automation of injection molding production. It can reduce heavy physical labor, improve working conditions and safe production; it can imitate some functions of the upper limbs of the human body, and it can be automatically controlled to deliver products according to predetermined requirements or Automated production equipment that handles tools for production operations. It plays an extremely important role in improving the production efficiency of injection molding machines, stabilizing product quality, reducing scrap rate, reducing production costs, and enhancing the competitiveness of enterprises.

螺杆上料机

Screw feeder

特点 >>

- 采用不锈钢制造, 输送管、中心主轴、螺片、料箱均为不锈钢材质, 坚固耐用;
- 可与各种规格挤出机, 搅拌机配套使用;
- 适用于各种颗粒状、粉碎料等物料上料输送用途;
- 配备自动加料控制箱, 可有效降低工人的工作强度, 提高工作效率;
- 常备Φ102、Φ133、Φ159、Φ219mm等管径规格供客选用, 工作能力为0.5-10 t/h。
- Adopt stainless steel, pipe, central spindle, screw, container for stainless steel material, durable;
- But with all kinds of extruder, mixer used;
- Low is suitable for various granular, crushing materials such as material feeding conveying purpose;
- Equipped with automatic feeding control box, can effectively reduce the working strength of workers, improve work efficiency;
- Low stock Φ102, Φ133,Φ159,Φ219mm diameter specifications for customer choice, such as the ability to work is 0.5-10 t/h.



输送带

conveyor



性能特点 >> Features

- 全机由高精度铝合金结构梁(A6063)组成, 超结构耐久不变形。
- 双边高度可调整, 调整使用方便。手轮调整轻松容易。
- 附四个脚轮, 移动方便。四支固定脚可以折迭, 不用时不占空间。
- 皮带运转速度可以调整, 方便使用。
- 附机械手连接标准接头, 与机械手连接方便快速。
- Full unit made with high rigidity alloy aluminum structure beam (A6063). Super-strong structure makes it long-wearing and not deformed.
- The height of both sides can be adjusted easily by a hand shaft, convenient in using.
- Enclose 4 wheels, convenient to move. Four fixed feet are foldable, save space.
- Speed is adjustable, easy to use.
- With standard robot connector which can be connected quickly.

高端立式混色机

High-end vertical color mixing machine



- 1.采用进口不锈钢材料制作，高强度耐用及清洗方便。
 - 2.垂直减速马达，确保噪音低及持久耐用。
 - 3.结构科学，合理，混合能力强，3分钟内可充分提搓原料。
 - 4.附有安全保护开关，操作绝对安全。
- 1.Made with import stainless steel, high strength of durable and cleaning convenient.
 - 2.Vertical geared motor ensuring the mixer low noise and durable.
 - 3.Structure of scientific rational, mixed ability, fully stirring raw materials in 3 minutes.
 - 4.Cover with a safety switch, the operation is absolutely safe.

立式混色机参数表 >>
Technical parameters

型号(KG)Model	50	100	150	200	300	500
电压 (V/HZ) Voltage	380V/50HZ					
功率 (KW) Power	1.5	3	4	5.5	7.5	11
混合量 (KG) Mixing quantity	50	100	150	200	300	500
外形尺寸 (米) 长x宽x高 Dimension	0.85x0.82x1.04	0.98x0.88x1.23	1.1x1x1.23	1.23x1.15x1.33	1.32x1.22x1.53	1.73x1.62x1.65
桶体内径*高度 (MM) Inside diameter * height	620X440	750X560	880X610	1000X660	1100X820	1500X800
脚架高度 (MM) Height of scaffold	560(含脚轮) Including casters	630(含脚轮) Including casters	550(不含脚轮) without casters	630(不含脚轮) without casters	670(不含脚轮) without casters	820(不含脚轮) without casters
转速 (分/转=R/Min) Speed	63	63	63	63	63	63
桶壁厚 (MM) Barrel wall thickness	1.5	1.5	2	2	2	2.5
桨叶厚度X宽度 (MM) Blade thickness x width	8x50	8x60	12x60	12x60	12x60	12x60
铁底板厚度 (MM) Thickness of iron base plate	10	10	12	12	12	12
机器重量 (KG) Weight	90	126	163	228	262	460

产品规格参数如有变动，恕不另行通知。
Specifications are subject to change without notice.

大型立式烘干搅拌机

Large vertical drying mixer



- 1.螺旋循环搅拌使得原料混合更加均匀、快捷。
 - 2.适用于各种塑料原料及色母的混合搅拌新、旧料及色母混合效果更佳。
 - 3.设有电控安全保护装置,确保操作安全。
 - 4.可定制烘干型。
1. Helical circular mixture fast and equal stirring.
 2. Suitable for all kind of plastic raw material & colour.
 3. Installed with power control device to ensure safety.
 4. Drying a mixing type is available (optional).

大型立式烘干搅拌机参数表 >>
Technical parameters

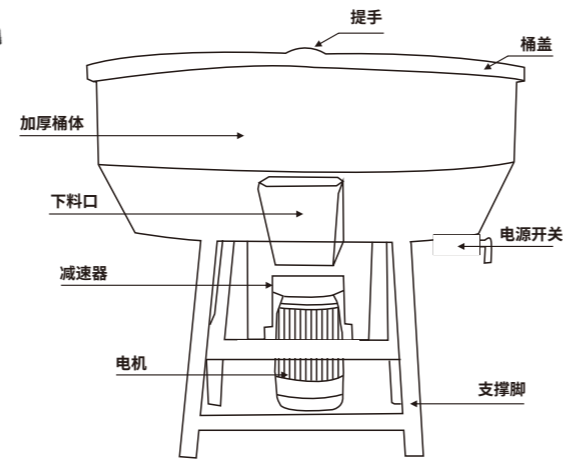
型号(KG) Model	主机功率 (KW) Power	加热功率 (KW) Heating Power	容量 (M³) Capacity	转速 (R/MIN)	外形尺寸 (MM) Dimension	净重 (KG) Weight
300	3	15	0.75	370	1100*2050	260
500	3	15	1	370	1200*2400	420
1000	4	15	2	370	1500*2800	620
2000	5.5	15	4	370	1850*3100	1050
3000	7.5	15	6	370	2000*3600	1250
5000	7.5	15	10	370	2450*4100	2000
10000	11	24	20	340	3000*5100	2300
15000	15	24	30	340	3200*6000	5000

产品规格参数如有变动，恕不另行通知。
Specifications are subject to change without notice.

注：380V/3相电
Note: 380V / 3 phase current

经济型搅拌机

Economic mixer



性能特点 >>

Product features

快速/均匀/零死角/可正转反转/解放双手/干湿两用

塑料颗粒，饲料，拌馅，拌药，干粉，加水搅拌，肥料，种子统统轻松搞定！

Fast / Uniform / zero dead angle / reversible / hands free / wet and dry Plastic particles, feed, stuffing, medicine, dry powder, water, fertilizer and seeds are all easy to handle

经济型拌料机参数表 >>

Technical parameters

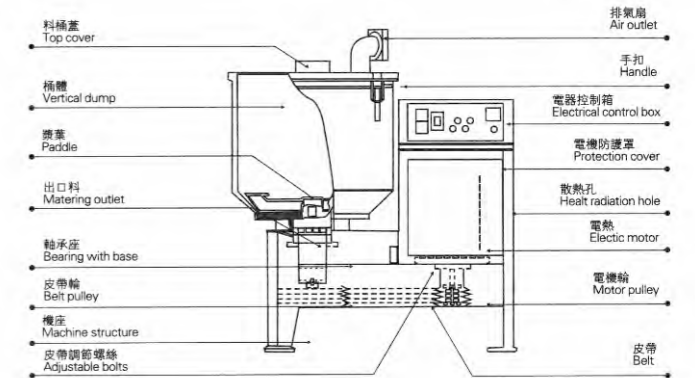
型号	50	75	100	150	200	250	400	500
功率(kw) Power	0.75	1.1	1.5	2.2	3	4	4	5.5
转速(R/min) Speed	35							50
容量 (Kg) Capacity	50	75	100	150	200	250	400	500
桶体内径*高度 (mm) Inside diameter * height	800*400	900*390	1000*395	1100*420	1200*420	1300*475	1400*475	1500*550
桶体厚度 (mm) Can-body thickness	0.81	0.81	0.81	0.81	0.81	0.81	1	1.2

产品规格参数如有变动，恕不另行通知。

Specifications are subject to change without notice.

高速干燥一体机

High speed drying machine



性能特点 >>

Product features

- 本系列利用高速旋转摩擦发热将原料中的水分子释放出来，从而达到高效干燥及混色均匀的双重功能。
- 特别适用于粉料，粉碎或水洗回收料的干燥/混色加工；
- 出料简易，出料时无需启动电机
- 具有自动温控，计时，过载保护等自动功能；双层不锈钢保温桶，浆叶，挡闸，桶盖等均为不锈钢材料；
- 桶体底部采用圆锥形体无死角设计，同时配合交错浆叶，使原料混合摩擦的更快，电机利用率更高，桶内清洗更容易。有惯性轮设计，能粉碎由于吸湿结块的物料。
- 特别适用于粉料和粉碎水洗回收的干燥混色加工。
- 具体自动控温，计时，过载保护等功能。
- 不锈钢料桶，浆叶，确保塑料原料不受污染。

- Particularly suitable for processing the powder and crushing or washing recovery of dry mixed color.
- With automatic temperature control, timing, overload protection and other functions.
- Stainless steel material barrels, the blade, ensure that plastic raw materials form pollution.

工作原理 >>

Working principle

塑料干燥混色机是通过浆叶高速旋转摩擦发热而将原料中的水分释放出来从而达到干燥的目的。

Plastic dry mixed color machine, water in the materials will be released by the blades high speed rotating friction res to heat, so as to achieve the purpose of drying.

高速干燥一体机参数表 >>

Technical parameters

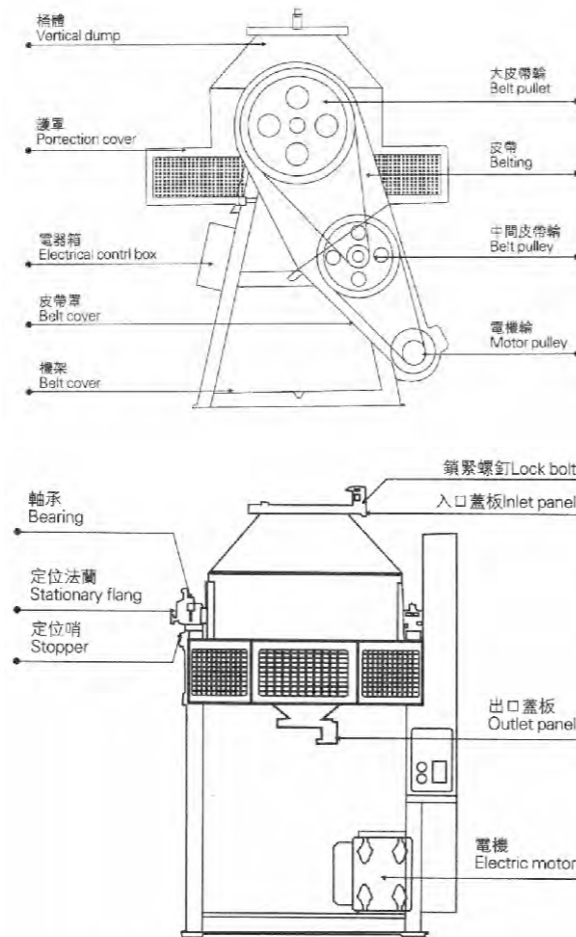
型号	25	50	100	200
功率 (kw) Power	5.5	7.5	15	30
匹 (hp) Power	7.5	10	20	40
外形尺寸 (mm) Dimension	1000*690*1240	1170*830*1350	1340*980*1520	1700*1300*1700
电压 (v) Voltage	380 3Φ			
混合量 (kg) Capacity	25	50	100	200
转速 (R/min) Speed	480	480	480	480
机器重量 (kg) Weight	200	230	270	700

产品规格参数如有变动，恕不另行通知。

Specifications are subject to change without notice.

滚筒式搅拌机

Drum mixer



性能特点 >>

Product features

1. 桶体采用进口不锈钢制作，焊牢牢固，表面光亮易清洗。
2. 搅拌桶全方位360度旋转混合，入料，出料，任意定位，操作方便。
3. 首创网孔保护罩，结构合理，美观实用，确保操作者安全。
4. 桶内无搅拌桨，混合色清洗更方便。

1. Barrel of imported stainless steel, welded solid, bright surface easy to clean.
2. Mixing barrel all-round rotate 360 degrees to mix, in and out of the material, arbitrary positioning, easy to operate.
3. Pioneering mesh shield, reasonable structure, beautiful and practical, ensure that the operator safety.
4. Without stirring in bins, mixing toner cleaning more convenient.

滚筒式搅拌机参数表 >>

Technical parameters

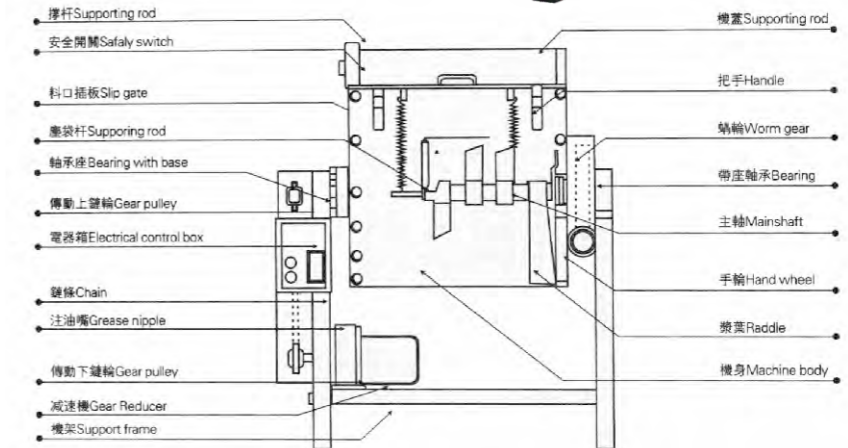
型号 (KG)	功率 (KW)	匹 (HP)	外形尺寸 (MM)	混合量 (KG)	转速 (R/MIN)	机器重量 (KG)	电压 (V)
Model	Power		Dimensions	Capacity	Rotating speed	Net weight	Voltage
50	0.75	1	900*890*1400	50	46	120	380 3Φ
100	1.5	2	1020*1100*1500	100	46	147	380 3Φ

产品规格参数如有变动，恕不另行通知。

Specifications are subject to change without notice.

卧式混色机

Horizontal color mixing machine



性能特点 >>

Product features

1. 料桶及桨叶采用不锈钢材料制造，清洗容易，避免锈蚀。
2. 料桶可倾斜100度，方便卸料。
3. 连锁安全保护装置，确保操作者及机械设备的安全。

1. The barrel and blades are made of stainless steel, which is easy to wash.
2. Material barrel can be tilted 100 degrees, convenient discharging.
3. Chain safety device to protect the safety of the operator and mechanical equipment.

卧式混色机参数表 >>

Technical parameters

型号 (KG)	功率 (KW)	匹 (HP)	外形尺寸 (MM)	混合量 (KG)	转速 (R/MIN)	机器重量 (KG)	电压 (V)
Model	Power		Dimensions	Capacity	Rotating speed	Net weight	Voltage
100	2.2	3	1100*850*1300	100	63	285	380 3Φ
150	3	4	1400*850*1300	150	63	358	380 3Φ
200	4	5	1580*1000*1400	200	63	530	380 3Φ

产品规格参数如有变动，恕不另行通知。

Specifications are subject to change without notice.

大型卧式搅拌机 (可选烘干功能)

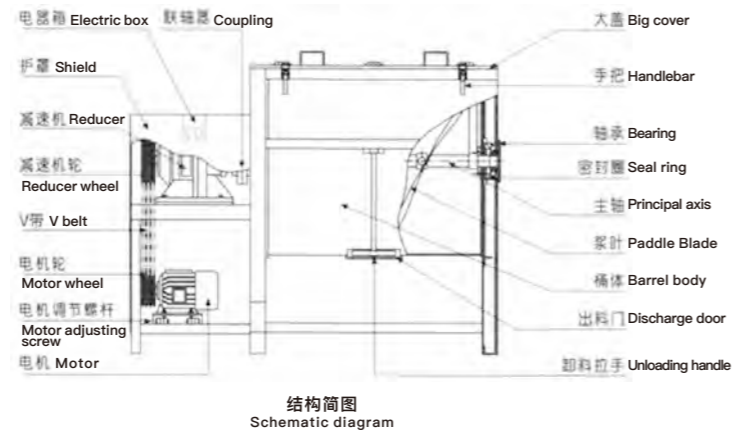
Large horizontal mixer (optional drying function)



机器概述 >>

卧式搅拌机专为塑胶，化工，农业行业设计制造，该系列机器有自动计时，过流保护功能、耗电小、操作方便、故障小;混合效果均匀等优点。能确保每批塑胶的物性及颜色的确定性。广泛用于塑胶制粒、塑胶改性、再生塑料、塑胶色母等行业；并可按客户要求制作各种量搅拌桶以及加装加热和自动送料装置。

Horizontal mixer is specially designed and manufactured for plastic, chemical and agricultural industries. This series of machines have automatic timing, over-current protection, low power consumption, convenient operation and small faults. Uniform mixing effect and the like. Can ensure the certainty of physical properties and color of each batch of plastic. Widely used in plastic granulation, plastic modification, recycled plastic, plastic color masterbatch and other industries; According to customer's requirements, we can make various mixing barrels and install heating and automatic feeding devices.



实现自动化，成就您的飞跃
Realize automation and achieve your leap forward

参数表 >>

Technical parameters

型号(KG)	主机功率(KW)	加热功率(KW)	外形尺寸(MM)	混合量(KG)	转速(R/MIN)	电压(V)
Model	Power		Dimensions	Capacity	Rotating speed	Voltage
300	4	9	2000*800*1500	300	35	380
500	5.5	12	2100*1000*1700	500	35	380
1000	11	18	2800*1300*2100	1000	35	380
2000	15	24	3400*1400*2400	2000	35	380
3000	18	28	3800*1600*2400	3000	35	380

产品规格参数如有变动，恕不另行通知。
Specifications are subject to change without notice.